



MD-S700 MECHANICAL PRESSURE SWITCH

TECHNICAL CHARACTERISTIC:

- ✓ Alarm point set by customer, compact size, convenient connection
- ✓ NC/NO double contact points, contact silver plating and with large capacity
- ✓ Wide measurement range(0...400bar), strong overload capacity(the max 1230bar)
- ✓ Impact resistance design, high repeatability, be suitable for fire control, hydraulic machinery and other high pressure impact situations



MD-S700 pressure switch achieves switch action through mechanical deformation. The piston contacts with the precision spring in the body. When the pressure changes, the spring expansion range will change too. When the pressure reaches to the set point, the product will send out switching signal.

The shell uses 304SS. It is easy to operate and has a long-term stability. Customer can use the accessory tool(alone with the product) to set control point.(The product has preset a control point before leaving factory)

The product has been widely used, especially in fire control, automated matching, mining machinery.

APPLICATION:

- ◇Hydraumatic and pneumatic system
- ◇Fire control
- ◇Electromechanical equipment automation
- ◇Automated machinery

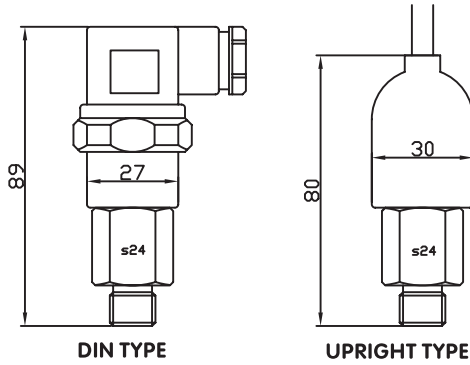
SPECIFICATION:

Range	0.2...1...10...25...50Bar Max pressure300bar 10...100...200...400Bar Max pressure600bar
Overload Capacity	> 300Bar(setting range0.2~50Bar); > 600Bar(setting range50~400Bar)
Action Point Set	Adjust within the setting range
Contact	NC/NO 1(COM) 2(NC) 3(NO)
Acc.	± 2%FS
Long-term Stability	Typical: ± 2%FS/year
Electric Contact	Silver plating contact point
Setting	Hexagon Wrench
Operation Temperature	-20 ~ 85°C
Shell	Engineering Plastic
Action Hysteresis	Small range 10%, large range 15%
Sampling Frequency	90 times/sec
Measurement Medium	Non-corrosive liquid, oil, gas
Connector	M20*1.5、G1/2、G1/4
Connector Material	Stainless steel, copper, galvanized steel
Sensing Element	Mebrane NBR
Protection Garde	I P65
Electrical Specification	Maximum load:250V3A 125V5A



上海铭控传感技术有限公司

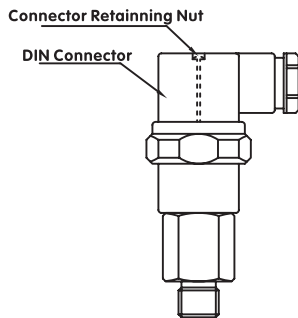
Mingkong Sensor Technology(Shanghai) Co.,Ltd
TEL:021-5778 0480 FAX:021-51564102

SIZE:

EXPLOSION-PROOF:

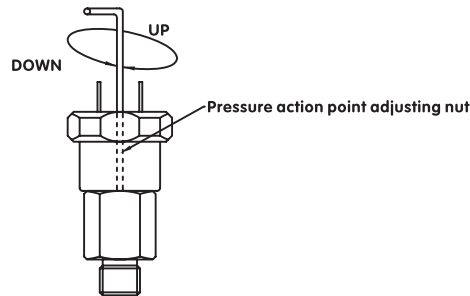
SELECTABLE TABLE:

	Mode	Max Pressure (bar)	Setting Range (bar)	Acc.	Fixed Hysteresis	Weight (kg)
Membrane	S700-02.5	300	0.2...2.5	2% Set Value	10%...20% set value	0.1
	S700-005	300	0.8...5.0			
	S700-012	300	1...12			
	S700-050	300	5...50			
Piston	S700-100	600	10...100			0.1
	S700-200	600	20...200			
	S700-400	600	50...400			

- Notice: 1, You need to mark the screw before you order
 2, The upright type has settled set point without adjusting.
 3, You need to mark if you need explosion-proof.

ADJUST METHOD:


First step: Use screwdriver to handle with DIN connector fixed screw and take down it



Second step: Refer to the picture, and use hexagon wrench to adjust the pressure action point. Clockwise rotation to increase, contrarotate to decrease.