



SPECIAL FEATURES

STAINLESS STEEL CASE & RING
 COMPACT DESIGN
 PROVISION FOR ZERO ADJUSTMENT
 STANDARD FOLLOWED IN GENERAL EN 837-3

APPLICATIONS

LOW PRESSURE DRAFT MEASUREMENT, FOOD & BEVERAGES,
 PHARMACEUTICAL, BREWERIES, CONVENTIONAL, NUCLEAR POWER PLANTS,
 CLEAN AIR, GASEOUS, LOW VISCOUS LIQUID & NON CORROSIVE MEDIA THAT
 WILL NOT OBSTRUCT THE PRESSURE SYSTEM.

STANDARD VERSION

NOMINAL SIZE : 63, 100 & 150 mm

Scale ranges

63 mm : 0-40 to 0...600 mbar

100 mm : 0-25 to 0...600 mbar

150 mm : 0-6 mbar to 0...600 mbar or other equivalent units of pressure & vacuum

Accuracy class	1,6
Ambient temperature	- 25°C to + 65°C
Process temperature	Max 100°C
Operating pressure	75 % of scale value
Over pressure	110% of max. scale value

Case & Bezel	AISI 304 SS (DIN case)
--------------	------------------------

Capsule	AISI 316 SS
---------	-------------

Socket	AISI 316L SS
--------	--------------

Movement	AISI 304 SS
----------	-------------

Joints	Tig argon arc welding
--------	-----------------------

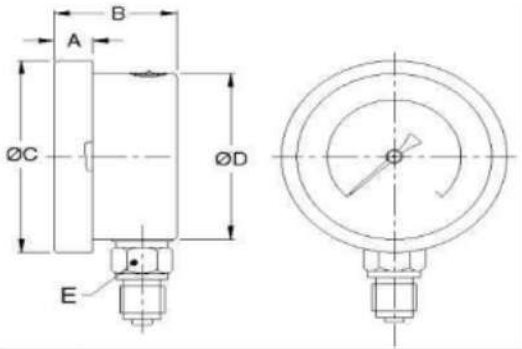
Protection	IP 65 (IP 55 for NS 63 mm)
------------	----------------------------

Dial	Aluminium, black graduation on white background with zero adjustment provision
------	--

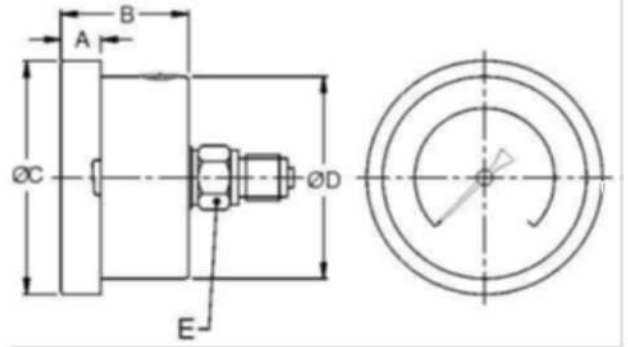
Pointer	Aluminium, black coloured, fixed
---------	----------------------------------

Window	Safety glass
--------	--------------

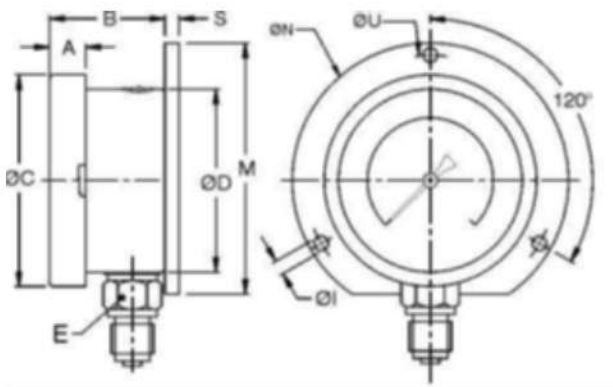
Gasket & vent plug	Neoprene
--------------------	----------

TYPE A


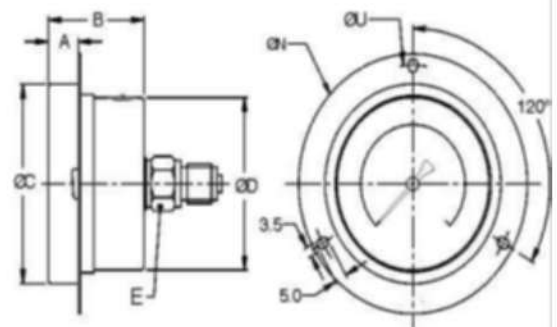
NS	A	B	ØC	ØD	E	Weight in gram (With Box)
63	12.5	46	77.5	66.5	A/F14	270.0

TYPE D


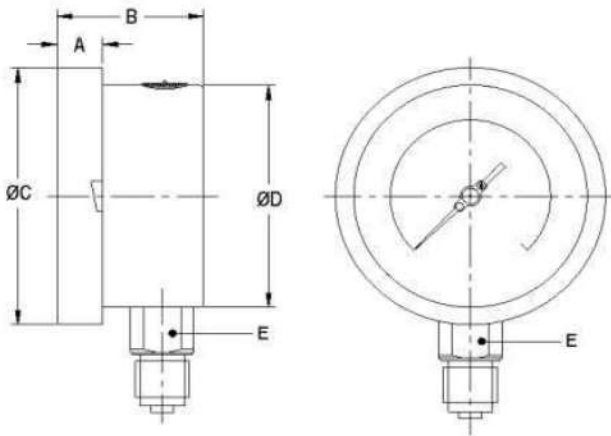
NS	A	B	ØC	ØD	E	Weight in gram (With Box)
63	12.5	46	77.5	66.5	A/F14	260.0

TYPE C


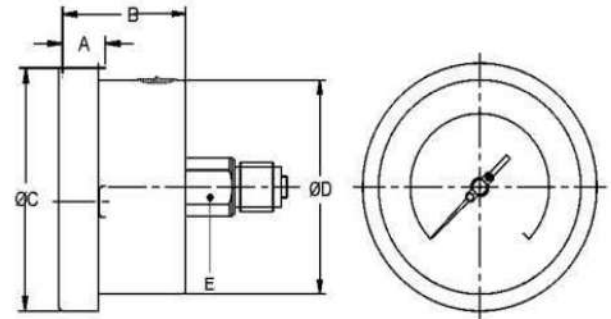
NS	A	B	ØC	ØD	E	S	ØN	ØI	ØU	M	Weight in gram (With Box)
63	12.5	46	77.5	66.5	A/F14	7	86	3.6	75	80	300.0

TYPE E


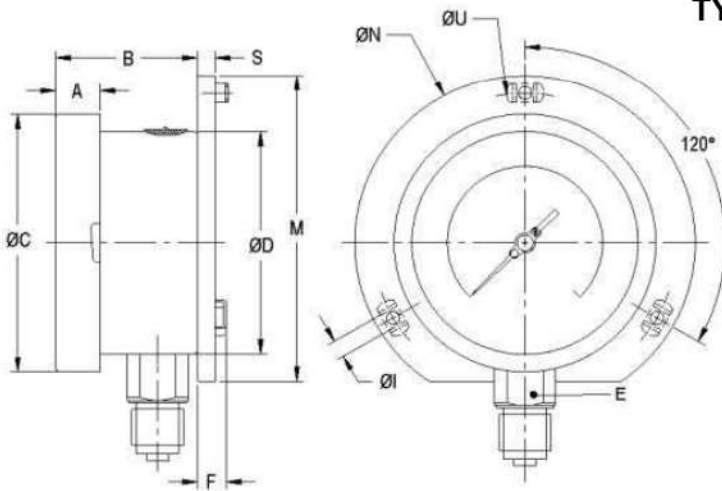
NS	A	B	ØC	ØD	E	ØN	ØU	Weight in gram (With Box)
63	12.5	46	77.5	66.5	A/F14	86	75	250.0

TYPE A


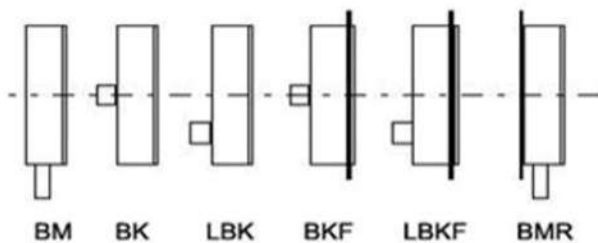
NS	A	B	ØC	ØD	E	Weight in gram (With Box)
100	12.5	48	111	100	22	605
150	15	49	161	149	22	1030

TYPE D


NS	A	B	ØC	ØD	E	Weight in gram (With Box)
100	12.5	48	111	100	22	605
150	15	49	161	149	22	1115

TYPE C


NS	A	B	ØC	ØD	E	M	S	F	ØI	ØN	ØU	Weight in gram (With Box)
100	12.5	48	111	100	22	128	6	14.5	6	134	118	690
150	15	49	161	149	22	174.5	5.5	15	6	186	168	1110

MOUNTING TYPE


- BM** - Bottom Connection
- BK** - Centre Back Connection
- LBK** - Off Centre Back Connection
- BKF** - Centre Back Connection with Front Flange (Panel Mounting)
- LBKF** - Off Centre Back Connection with Front Flange (Panel Mounting)
- BMR** - Bottom Connection Back Flange (Surface Mounting)

Notes : • Drawings are not to scale. • All Dimensions are in mm. • NS = Nominal Size.