

**PRESSURE GAUGE  
CAPSULE TYPE**



**SPECIAL FEATURES**

- Stainless Steel Case & Ring
- Compact Design
- Provision for Zero Adjustment
- Standard Follow in General EN 837-3

**APPLICATIONS**

Low Pressure Draft Measurement, Food & Beverages, Pharmaceutical, Clean Air, Gaseous, Low Viscous Liquid & Non Corrosive media that will not obstruct the pressure system

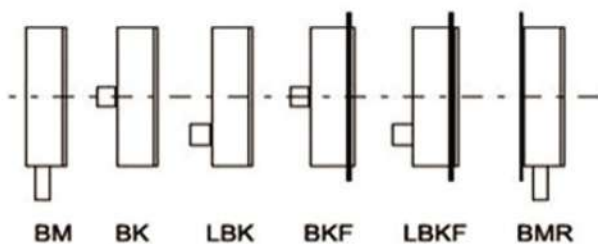
**STANDARD VERSION**

Nominal Size : 63, 100mm (Option): 80mm, 150mm Dry Type

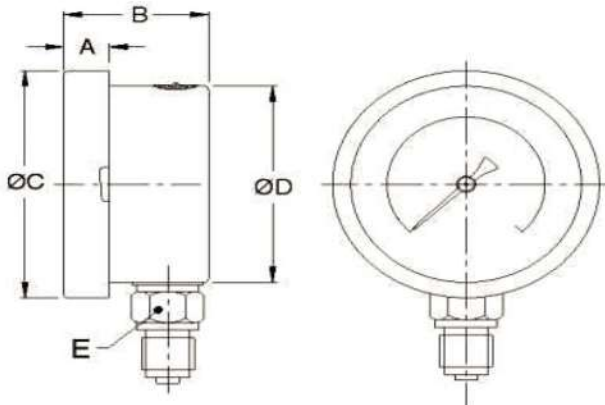
**Scale Ranges: 0 – 25 ....0 – 600 mbar or equivalent other units of pressure & vacuum**

Accuracy Class	1.6%
Ambient Temperature	-25°C to 65°C
Process Temperature	Max 100°C
Operating Pressure	75% of scale value
Over Pressure	110% of max. Scale Value
Case & Ring	AISI 304, Style: Bayonet Ring
Capsule	Brass
Process Connection	Brass, Thread Size: ¼" BSP (63mm), ½" BSP (100mm) – Option:
NPT	
Movement	Brass
Joints	Tig argon arc welding
Protection	IP65 – EN60529 / IEC 529
Dial	Aluminum, black graduation on white background with zero Adjustment provision
Pointer	Aluminum, black colored, fixed
Window	Safety Glass
Gasket & Vent Plug	Neoprene rubber

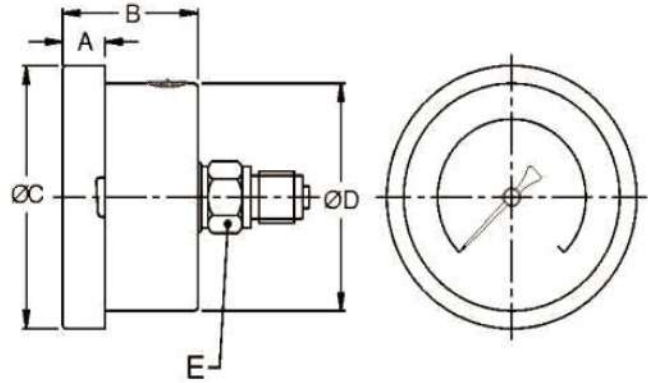
**MOUNTING TYPE**



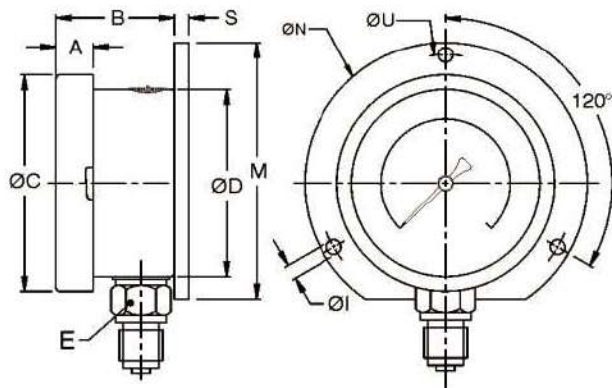
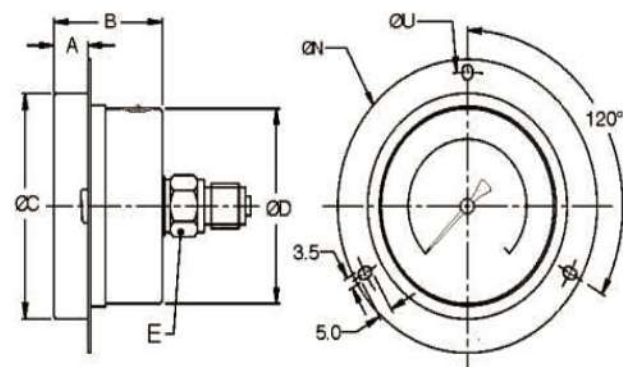
- BM** - Bottom Connection
- BK** - Centre Back Connection
- LBK** - Off Centre Back Connection
- BKF** - Centre Back Connection with Front Flange (Panel Mounting)
- LBKF** - Off Centre Back Connection with Front Flange (Panel Mounting)
- BMR** - Bottom Connection Back Flange (Surface Mounting)

**TYPE - A**


NS	A	ØC	ØD	E	Weight
63	12.5	77.5	66.5	A/F14	270.0
100	12.5	111	100	22	605.0

**TYPE - D**


NS	A	B	ØC	ØD	E	Weight
63	12.5	46	77.5	66.5	A/F14	260.0
100	12.5	48	111	100	22	605.0

**TYPE - C**

**TYPE - E**


NS	A	B	ØC	ØD	E	S	ØN	ØI	ØU	M	Weight in gram (with box)
63	12.5	46	77.5	66.5	A/F14	7	86	3.6	75	80	300.0
100	15	48	129	119	22	6	134	6	118	128	605.00

Notes : • Drawings are not to scale. • All Dimensions are in mm. • NS = Nominal Size.